

Job Name _____
 Purchaser _____
 Submitted to _____
 Unit Designation _____

Location _____
 Engineer _____
 Reference _____ Approval _____ Construction _____
 Schedule # _____

Specifications

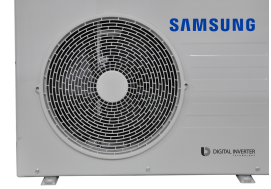
Model	Indoor Unit Model Number (US Code)	AC018BNADCH/AA (CNH18ADB)	
	Outdoor Unit Model Number (US Code)	AC018BXSCCC/AA (CXC18SCB)	
Performance 1	Nominal Capacity	Btu/h	18,000
	Capacity Range	Btu/h	4,000 - 20,000
	SEER / EER		20.0 / 12.00
	AHRI Certification Number		207698046
Power	Voltage	∅ / V / Hz	1 / 208-230 / 60
	Working Voltage Range (VAC)		176 - 254 (max. 3% deviation from each)
	Operating Current	min. / std. / max.	1.4 / 6.8 / 10.6
	Max. Breaker	Amps	15
	Min. Circuit Ampacity (A)		11.8
Dimensions	W X H X D (in.)	Indoor Unit	41 1/2 X 11 3/4 X 8 7/16
		Outdoor Unit	34 5/8 X 25 1/8 X 12 3/16
	Weight (lbs.)	Indoor Unit	25.80
		Outdoor Unit	94.36
Sound Pressure Level	Indoor Unit dB(A)	L / M / H	32 / 37 / 42
	Outdoor Unit dB(A)	High	48
Operating Temperatures	Outdoor	°F (°C)	23 ~ 122°F (-5 ~ 50°C)
	Indoor	°F(°C)	-40 ~ 122°F (-40 ~ 50°C) W/Baffle 61 ~ 90°F (16 ~ 32°C)
Pipe Connections	Indoor & Outdoor	High side (flare)	1/4"
		Low side (flare)	1/2"
	Maximum (ft.)		98.4
	Maximum Vertical Separation (ft.)		65.6
	Condensate Connection		1 1/4" O.D X 1" I.D
Refrigerant	Type	R410A	
	Control Method	Electronic Expansion Valve	
	Factory Charge	lbs.	2.87
	Charged for		25 ft
Additional Refrigerant		0.11 oz/ft over 25 ft	
Compressor	Manufacturer	Samsung	
	Type	Inverter Driven, Twin BLDC Rotary	
	RLA	Amps	8.2
Evaporator Fan	Type	BLDC with Crossflow fan (1)	
	Air Volume	CFM (L/M/H)	441 / 540 / 614
	Output (W)		27 W X 1
Condenser Fan	Motor	BLDC With Axial Type Fan (1)	
	FLA / W / CFM (max.)		0.97 A / 125 W / 1,413 CFM
Safety	Certifications	ETL (UL 1995)	
	Devices: PCB fuses, indoor unit terminal block thermal fuse, current transformer, over-voltage protection, crankcase heating, temperature limit protection logic, compressor overload sensing		

¹Certified in accordance with the AHRI unitary small air-conditioners (USAC) certification program which is based on the latest edition of AHRI Standard 210/240.

Samsung HVAC maintains a policy of ongoing development, specifications are subject to change without notice. Refer to www.ahridirectory.org for current reference numbers.

*The WindFree™ unit delivers an air current that is under 0.15 m/s while in WindFree™ mode. Air velocity that is below 0.15 m/s is considered "still air" as defined by ASHRAE (American Society of Heating, Refrigerating, and Air-Conditioning Engineers)

Notice: US Federal law requires that the above model to be installed in all U.S. states and territories except in AZ, CA, NM, and NV. Federal law prohibits installation of this unit in these states.



General Information

- The outdoor unit shall supply power to indoor unit via 14 AWG X 3 power wire
- High-voltage terminal block temperature sensor to disable unit in the event of power connection overheating
- Auto-restart after power loss
- Soft-start compressor minimizing current inrush
- All heat exchangers shall be mechanically bonded aluminum fin to copper tube
- The condensing unit heat exchanger salt spray test method: ISO-9227- the heat exchanger showed no unusual rust or corrosion development to 3,000 hours.
- Low ambient cooling to -40°F

Option settings

- The outdoor unit shall have snow accumulation prevention option setting to prevent snow drifting against an idle outdoor unit.
- Night-time Quiet Mode: reduction of operational sound during (automatic or manual activation)
- Emergency Temperature Output (ETO) function: when indoor unit is in error status or when room temperature exceeds configurable temperature level, the system outputs a signal to an external source, e.g., backup system, building management system, alert device (ex: status light, warning lamp, buzzer)
- Maximum Current Control configurable from 50% - 100% via outdoor unit, wired controller, or central controls.

Indoor Fan

- Indoor fan is a single crossflow type
- Three fan speed settings and auto setting
- Washable filter as standard
- The WindFree™* function will close the supply air outlet louver while in cooling mode to gently disperse cool air into the space without blowing directly onto occupants. The WindFree™* feature is optional and can be enabled using central or local control options
- The WindFree™* indoor unit has an integral humidity sensor that will open the louver for standard cool mode when space conditions could potentially cause condensation formation on the chassis surface

Construction

- Outdoor unit: Galvanized steel with a baked-on powder coated finish for durability
- Indoor unit: UL94 V0 with a galvanized steel mounting plate
- The indoor unit shall have easy access to wire, pipe, and drain connections via access panel on the front of the unit for easier installation and service

Controls

- Control wiring shall be 2 X 16 AWG
- Wireless controller included as standard
- Wired controllers must be purchased separately
- No additional interface modules/adapters are required when connecting to Samsung central control options
- The unit shall be operated via a wireless or wired remote control with DDC type signal

Refrigerant System

- The compressor shall be hermetically sealed, inverter-controlled Twin BLDC rotary type
- Refrigerant flow shall be controlled by an electronic expansion valve at outdoor unit

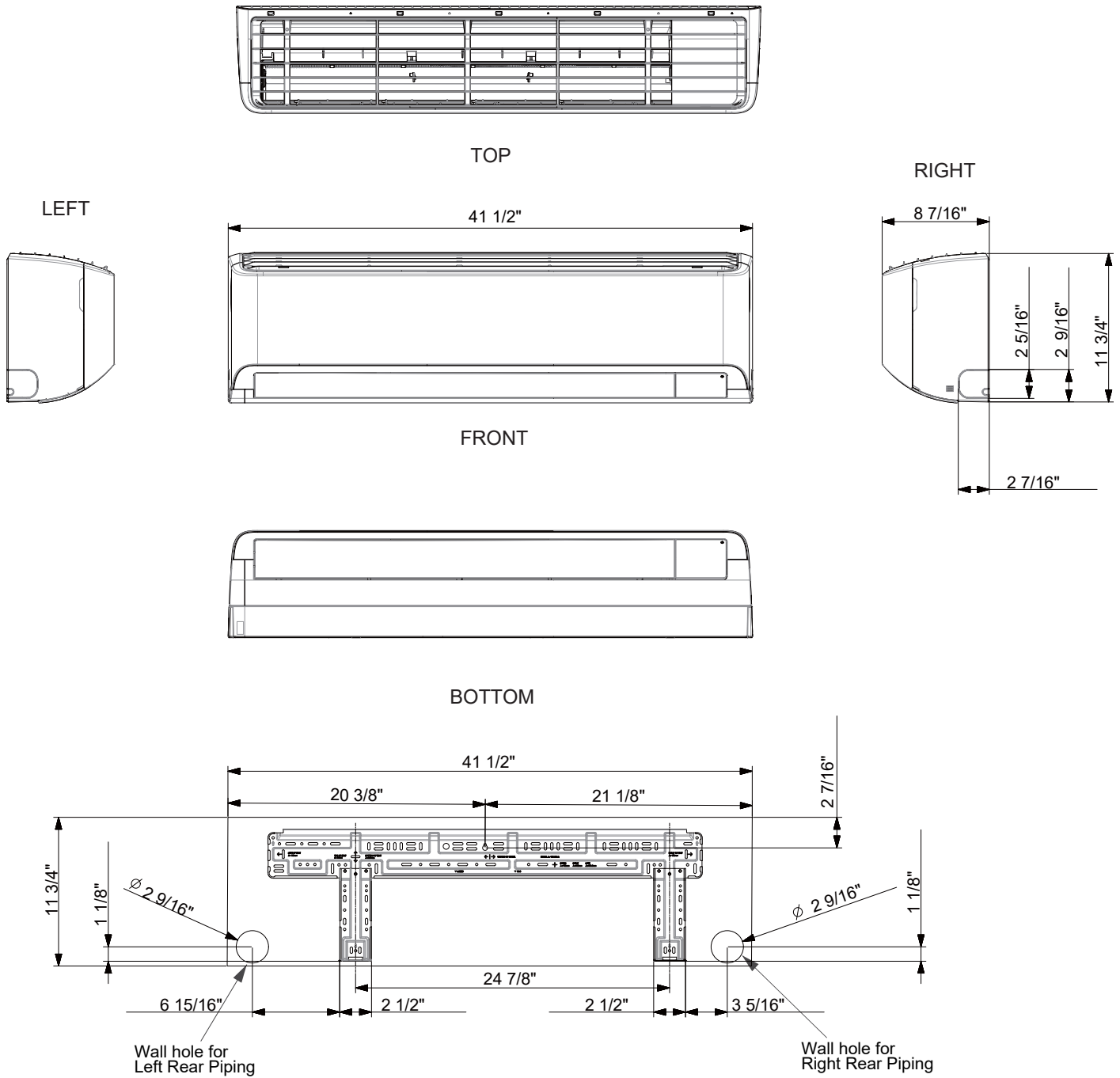
Warranty

7 Years compressor, 5 years parts with registration

Optional Accessories

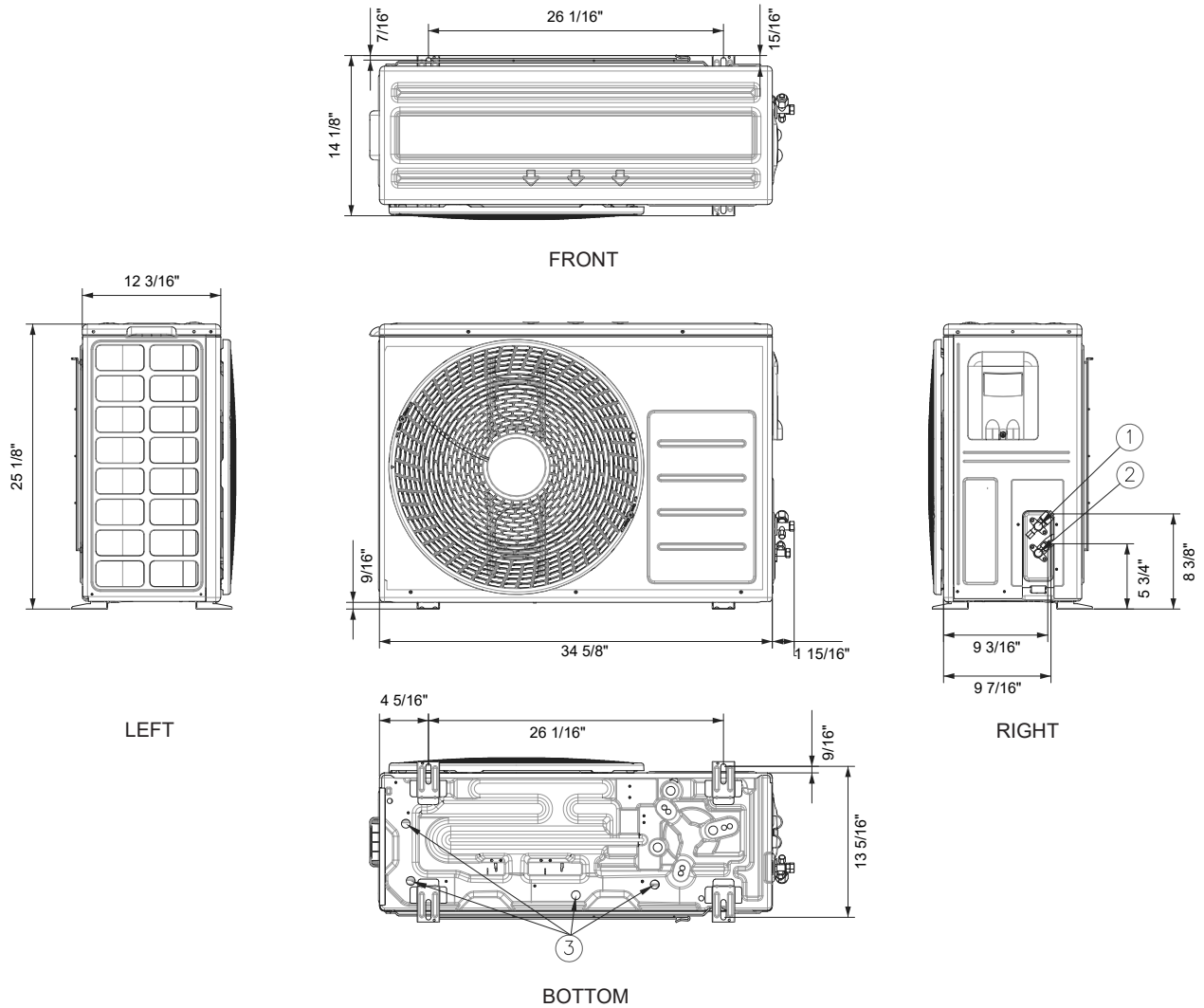
Wired Controller	Simplified Touch Controller	MWR-SH11UN
	Advanced Wired Controller	MWR-WG00UN
Thermostat Adaptor (for connection to a standard 24VAC thermostat)		MIM-A60UN
Condensate pump	Aspen Mini Orange	ASP-MO-UNIV 110-250
	Blue Diamond	BD-BLUE230
Wi-Fi Adapter		MIM-H05UN
External Temperature Sensor		MRW-TA
External Contact Control		MIM-B14
Wall Bracket (for outdoor unit)		CKN-250
Wind Baffles	Front	WBF-5M
	Back	WBB-6M-B
Hail guard kit (includes back and side guards)		HGK-6
Line Sets - insulated and flared, interconnect cables included		25' - ILS-2507
		50' - ILS-5007

Units: Inches



No.	Name	Description
1	Liquid pipe connection	1/4"
2	Gas pipe connection	1/2"
3	Drain pipe connection	1 1/16" OD
4	Power supply & Communication wiring conduit	-

Units: Inches



No.	Name	Description
1	Refrigerant liquid pipe	1/4"
2	Refrigerant gas pipe	1/2"
3	Drain hole	Connect with Provided Plug