

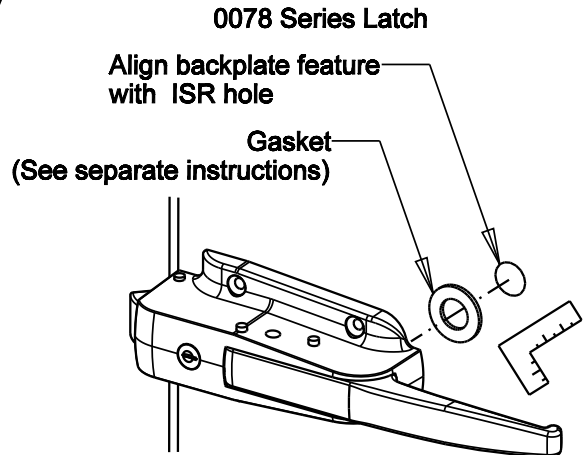
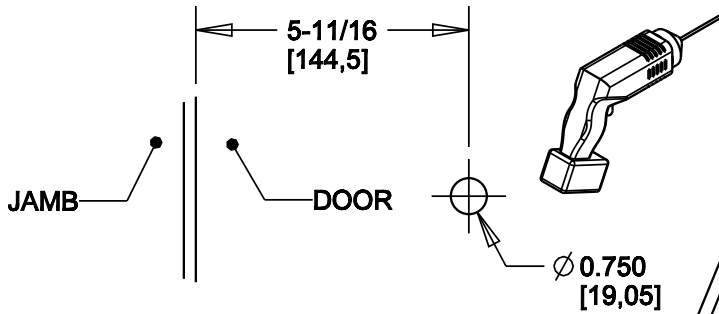
KASON Industries, Inc

0078 Radial Tongue Latch Installation Instructions

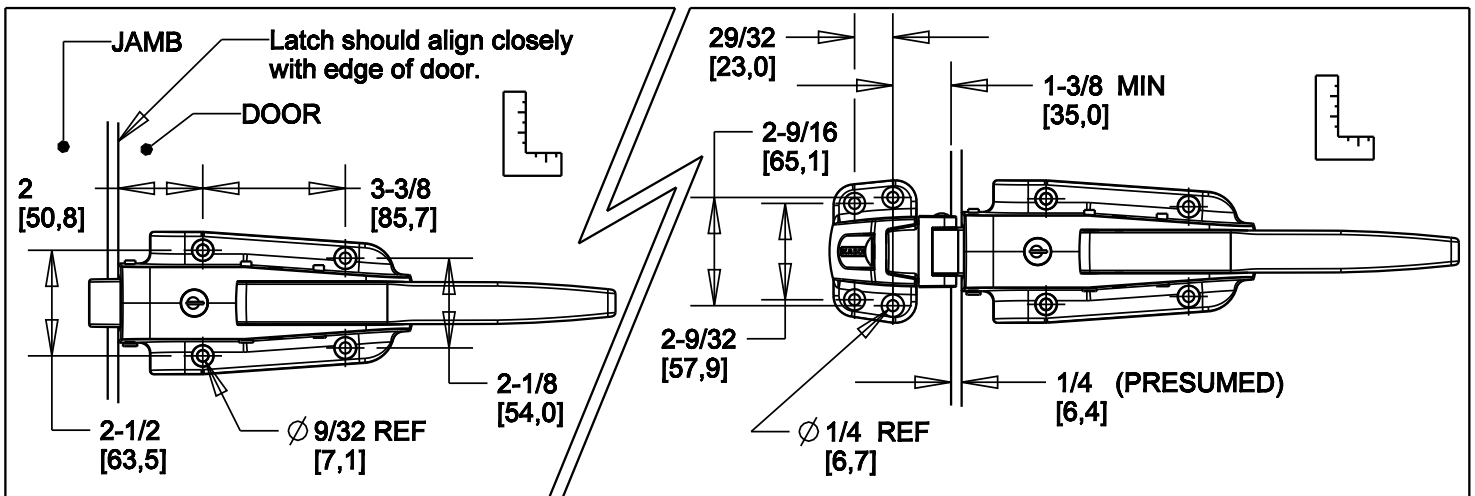
SHEET 1 OF 2

For Safe operation use KASON ISR's models:
0481C, 0481SC, 0482C, 0486C, 0487C, 0489C

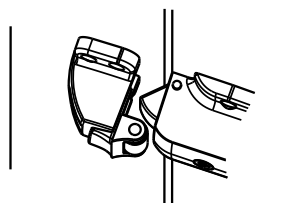
⚠ See Inside Release (ISR) Instructions for more details



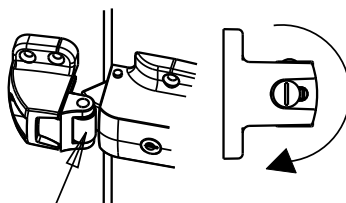
Ø 1/4 (6mm) Mounting fasteners not provided



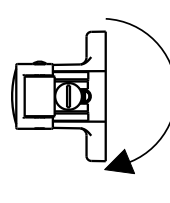
0056 Series Strike



TIGHTEN
OUTSIDE
SCREW



TIGHTEN
INSIDE
SCREW



ADJUST TO
MAKE CONTACT

Light Spring,
Cylinder Model
10078CL5020 Polished Chrome

Light Spring,
Non-Cylinder Model
10078L05020 Polished Chrome

Strike	Offset
10056005002	1/8 Below - 1/4 Above
10056005003	3/4 - 1-1/2
10056005005	1-3/4 - 2-1/2
10056005008	3" - 4"

Above Models for Chrome finish.
Other finishes, springs available.

⚠ WARNING

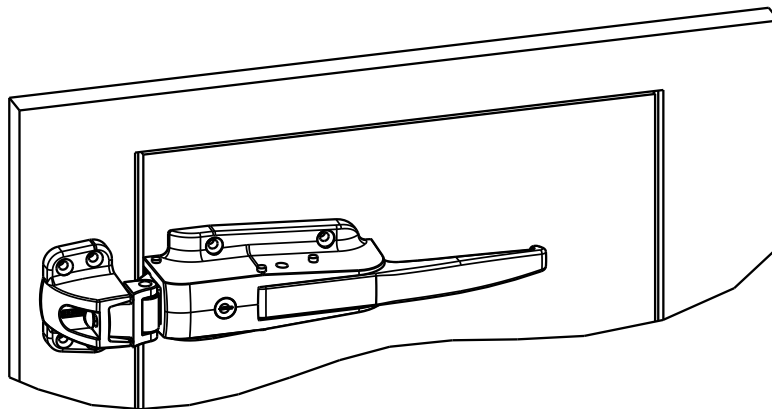
This item may contain chemicals known to cause cancer or reproductive harm in the State of California.

WWW.P65Warnings.ca.gov

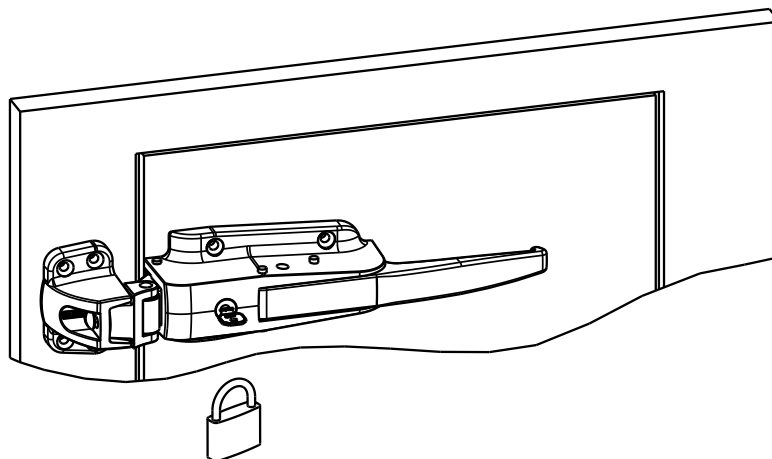
IS-0078-1 10-November-2017

LOCKING OPERATION

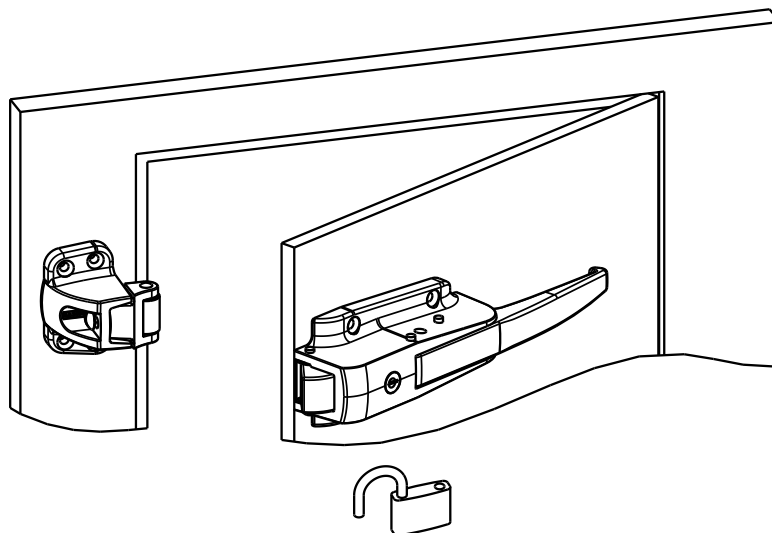
1. CLOSE DOOR



2. LOCK LATCH



3. UNLOCK LATCH
4. OPEN DOOR
5. LEAVE THE LATCH UNLOCKED



WARNING

DO NOT LOCK THE LATCH WHEN CLOSING THE DOOR