

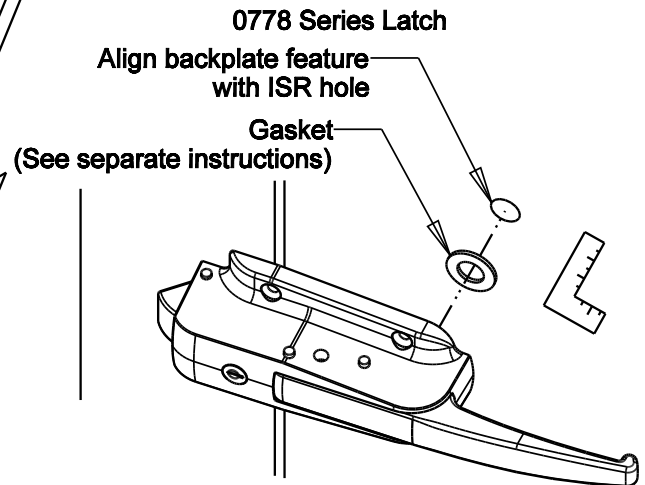
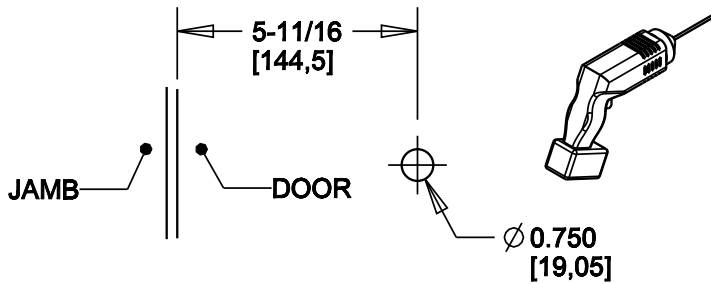
# KASON Industries, Inc

## 0778 Radial Tongue Latch Installation Instructions

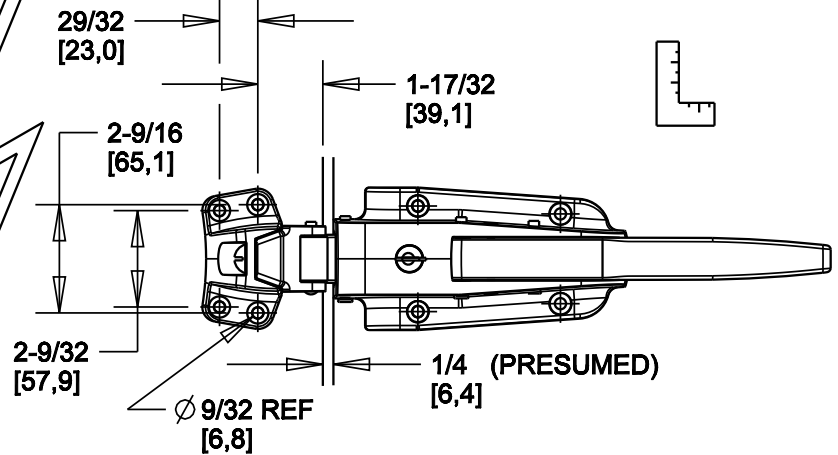
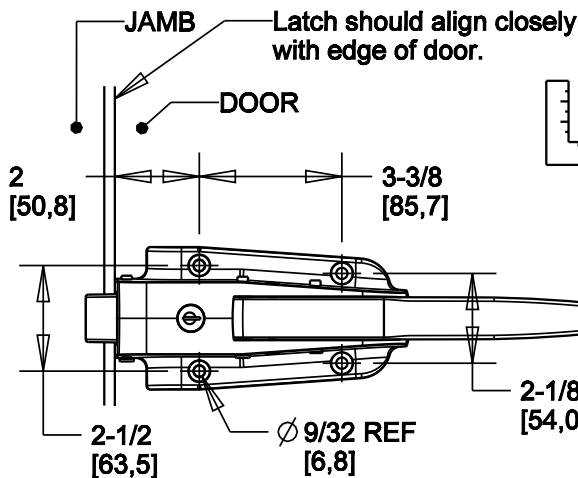
SHEET 1 OF 2

For Safe operation use KASON ISR's model: 0481SC

**⚠ See Inside Release (ISR) Instructions for more details**



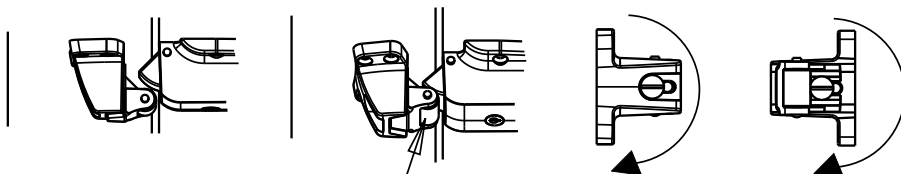
**Ø 1/4 (6mm) Mounting fasteners not provided**



0778 Series Strike

TIGHTEN  
OUTSIDE  
SCREW

TIGHTEN  
INSIDE  
SCREW



ADJUST TO  
MAKE CONTACT

**Light Spring, Cylinder Model**

10778CL6020 Cylinder latch, Light Spring

**Light Spring, Non-Cylinder Model**

10778L06020 Padlocking Latch Body, Light Spring

Strike	Offset
10778006002	Strike, -1/8" to 3/4" (-3 - 19mm)
10778006003	Strike, 3/4" to 1-5/8" (19 - 41mm)
10778006004	Strike, 1-5/8" to 2-1/2" (41 - 64mm)
10778006102	Strike, Stainless Steel Roller -1/8" to 3/4" (-3 - 19mm)
10778006103	Strike, Stainless Steel Roller 3/4" to 1-5/8" (19 - 41mm)
10778006104	Strike, Stainless Steel Roller 5/8" to 2-1/2" (41 - 64mm)

Above Models for Satin Finish.  
Heavy spring available.

**⚠ WARNING**

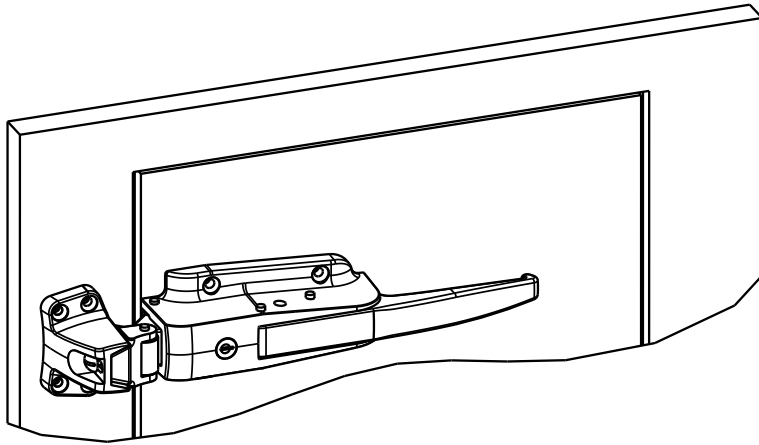
This item may contain chemicals known to cause cancer or reproductive harm in the State of California.

WWW.P65Warnings.ca.gov

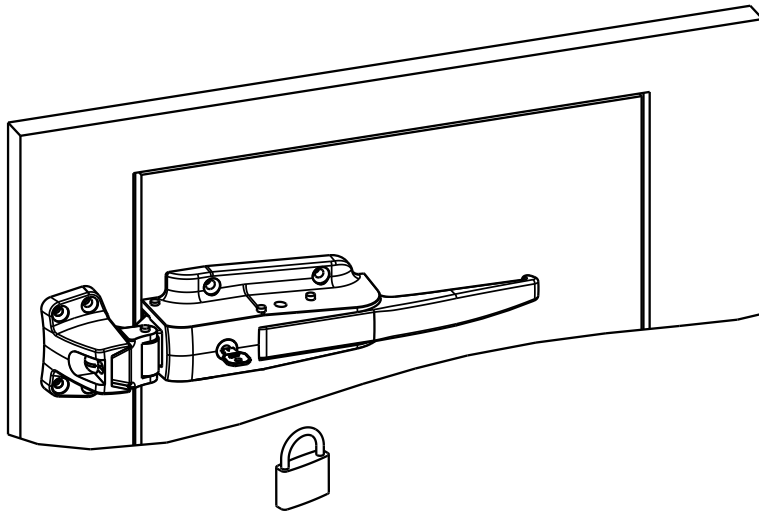
# LOCKING OPERATION

SHEET 2 OF 2

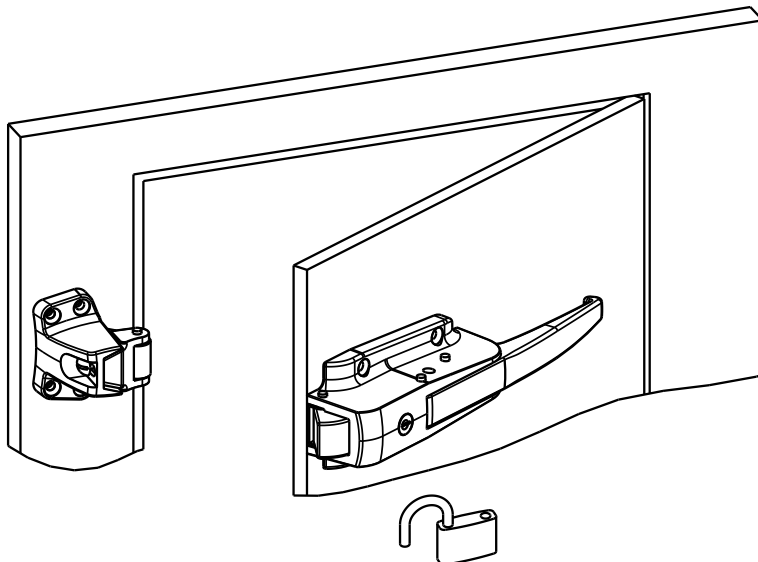
1. CLOSE DOOR



2. LOCK LATCH



3. UNLOCK LATCH  
4. OPEN DOOR  
5. LEAVE THE LATCH UNLOCKED



**WARNING**

DO NOT LOCK THE LATCH WHEN CLOSING THE DOOR